

- 1
- 2
- 3
- 4
- 5
- 6
- 7
- 8
- 9
- 10
- 11
- 12
- 13
- 14
- 15
- 16
- 17
- 18

MATERIAL

AISI 303 stainless steel.

WINDOW

ESG safety glass for use with maximum continuous working temperature 180°C.

RING

FKM type VITON® flat packing ring, for use with maximum continuous working temperature 180°C.

STANDARD EXECUTIONS

- **GN 743.5-A:** with reflector made out of technopolymer (PSU polysulfone), maximum continuous working temperature 180°C.
- **GN 743.5-B:** without reflector, with AISI 301 stainless steel seal ring, maximum continuous working temperature 180°C.

FEATURES AND APPLICATIONS

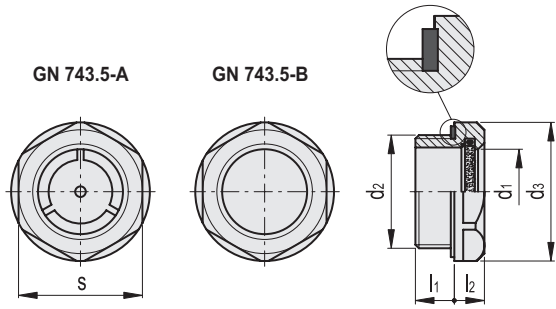
GN 743.5 oil level sight glasses can be used on pressurised oil tanks (oil-proof resistance data available on request).

The seal between the brass body and the ESG glass window is guaranteed by a packing ring in FKM type VITON®*.

* Registered trademark by DuPont Dow Elastomers.

ACCESSORIES ON REQUEST

Brass nuts with Gas threadings, type GH. (see page 1201) for fitting to reservoirs with wall thickness smaller than 5 mm.



INOX STAINLESS STEEL

GN 743.5-A

Code	Description	d1	d2	d3	l1	l2	s	⚖️
GN.37856	GN 743.5-11-M16X1,5-A	11	M16x1,5	22	8	7,5	20	19
GN.37858	GN 743.5-14-M20X1,5-A	14	M20x1,5	26	8,5	7,5	23	23
GN.37860	GN 743.5-18-M26X1,5-A	18	M26x1,5	32	9	8	30	41
GN.37853	GN 743.5-18-M27X1,5-A	18	M27x1,5	32	9	8	30	50
GN.37862	GN 743.5-24-M33X1,5-A	24	M33x1,5	40	11	8,5	36	64
GN.37864	GN 743.5-32-M42X1,5-A	32	M42x1,5	50	12	9	46	102
GN.37865	GN 743.5-32-M42X2-A	32	M42x2	50	12	9	46	100
GN.37855	GN 743.5-11-G3/8-A	11	G 3/8	22	8	7,5	20	19
GN.37857	GN 743.5-14-G1/2-A	14	G 1/2	26	8,5	7,5	23	23
GN.37859	GN 743.5-18-G3/4-A	18	G 3/4	32	9	8	30	41
GN.37861	GN 743.5-24-G1-A	24	G 1	40	11	8,5	36	64
GN.37863	GN 743.5-32-G1¼-A	32	G 1 1/4	50	12	9	46	102

INOX STAINLESS STEEL

GN 743.5-B

Code	Description	d1	d2	d3	l1	l2	s	⚖️
GN.37462	GN 743.5-11-M16x1,5-B	11	M16x1,5	22	8	7,5	20	19
GN.37466	GN 743.5-14-M20x1,5-B	14	M20x1,5	26	8,5	7,5	23	23
GN.37470	GN 743.5-18-M26x1,5-B	18	M26x1,5	32	9	8	30	41
GN.37854	GN 743.5-18-M27X1,5-B	18	M27x1,5	32	9	8	30	50
GN.37474	GN 743.5-24-M33x1,5-B	24	M33x1,5	40	11	8,5	36	64
GN.37478	GN 743.5-32-M42x1,5-B	32	M42x1,5	50	12	9	46	102
GN.37866	GN 743.5-32-M42X2-B	32	M42x2	50	12	9	46	100
GN.37464	GN 743.5-11-G3/8-B	11	G 3/8	22	8	7,5	20	19
GN.37468	GN 743.5-14-G1/2-B	14	G 1/2	26	8,5	7,5	23	23
GN.37472	GN 743.5-18-G3/4-B	18	G 3/4	32	9	8	30	41
GN.37476	GN 743.5-24-G1-B	24	G 1	40	11	8,5	36	64
GN.37479	GN 743.5-32-G1¼-B	32	G 1 1/4	50	12	9	46	102

Accessories for hydraulic systems